

## SENSOR ASSEMBLY APPENDIX

### PROBE LENGTHS IN INCHES FOR THE STANDARD PROBES

PROBE (3"PLUG)	GND 1 <sup>ST</sup>	2 <sup>ND</sup>	3 <sup>RD</sup>	4 <sup>TH</sup>	5 <sup>TH</sup>	6 <sup>TH</sup>	WIRE LENGTH
P360STD	18	18	17-3/8	16-1/2	15	10-1/2	*
P350STD	18	18	17-3/8	15-7/8	11-3/8		*
P340STD	18	18	16-1/2	12			*
P345STD	18	18	16-1/2	12			*
P330STD	18	18	16-1/2				*

\* THE STANDARD WIRE LENGTHS ARE: 50 FEET; 1000 FEET; 150 FEET & 200 FEET  
SPECIFY THE LENGTH NEEDED.

FOR A PART WITH CUSTOM PROBE LENGTHS USE THE FOLLOWING NUMBERING  
SYSTEM.

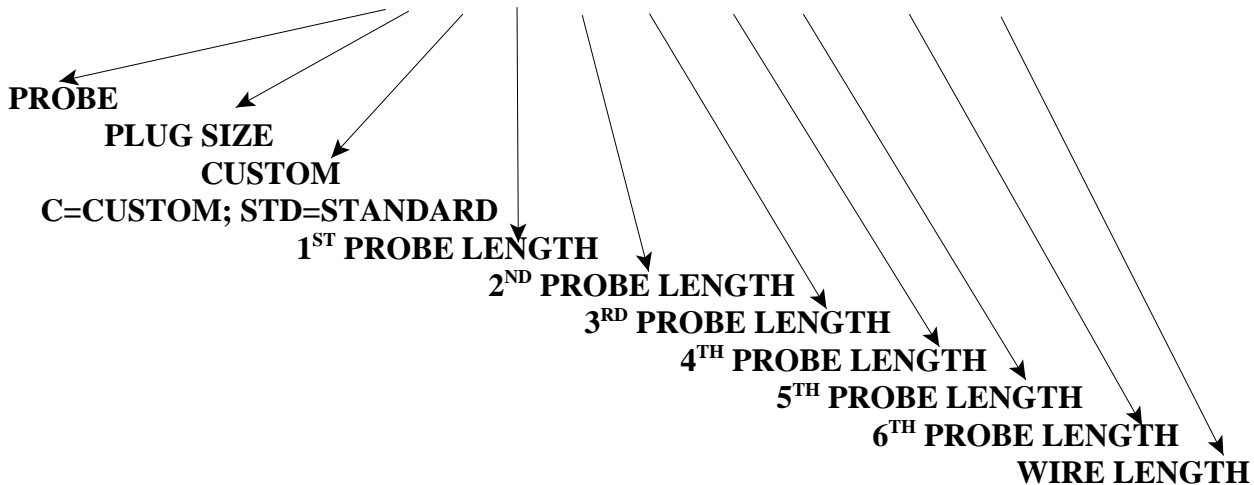
P2_C							
------	--	--	--	--	--	--	--

FOR A 2" PLUG SIZE

P3_C							
------	--	--	--	--	--	--	--

FOR A 3" PLUG SIZE

EXAMPLE: P260C+19+18+17-1/2+15+13-5/6+11-7/8+125



THE EXAMPLE IS FOR A 2" PLUG CUSTOM WITH THE PROBE LENGTHS SHOWN AND 125 FEET OF WIRE. FOR A STANDARD PROBE ONLY THE FIRST 6 CHARACTERS AND THE WIRE LENGTH ARE REQUIRED; ie: P360std+100.

FOR THE PROBE FUNCTION, SEE THE TRUTH TABLE AND SENSOR OPERATION  
DIAGRAM IN THE "OPERATION MANUAL. FOR QUESTIONS CALL 1-480-220-1616  
OR FAX: 1-480-629-8223 [WWW.WATERLINECONTROLS.COM](http://WWW.WATERLINECONTROLS.COM)