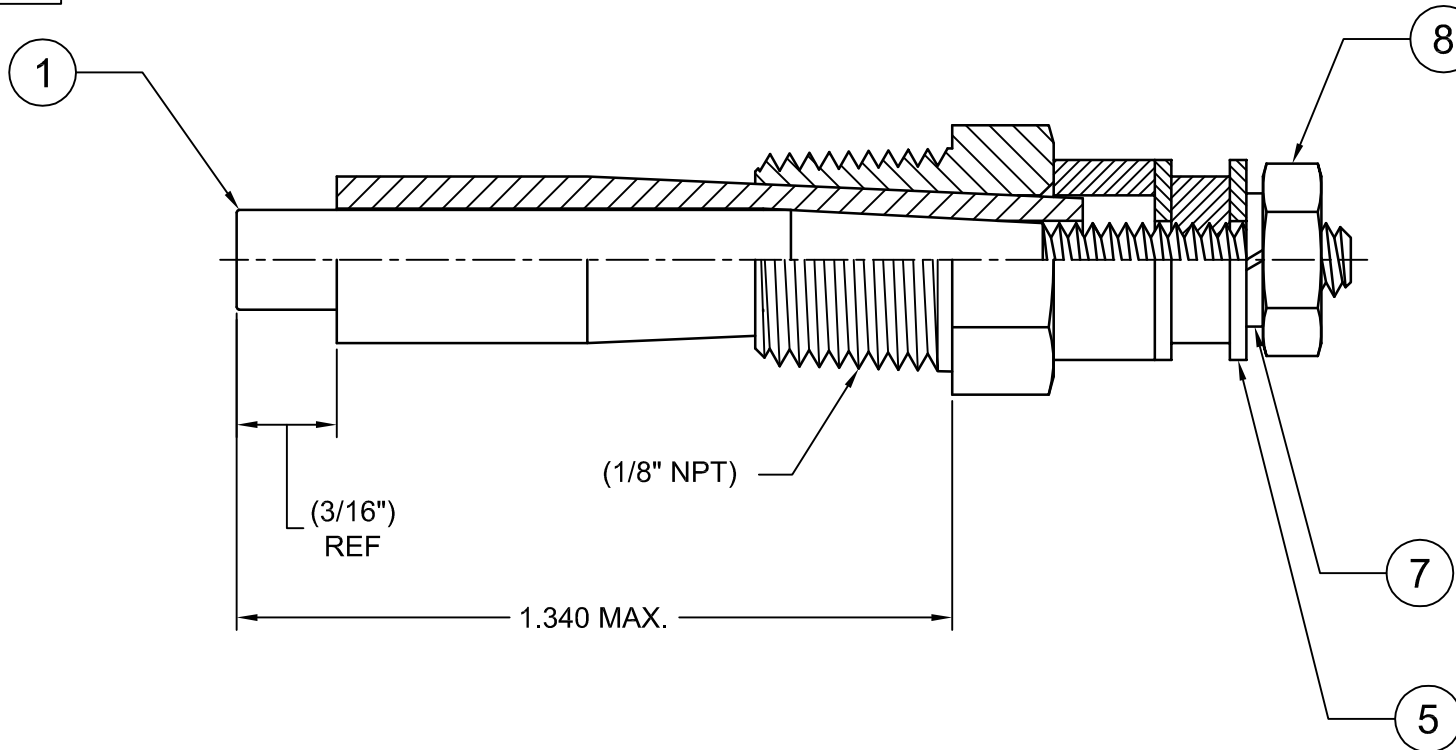


SPECIFICATION FOR BOILER SENSOR

REVISION BLOCK

REV.	E.C.N. NO.	DESCRIPTION	DATE	APP'V'D.
F.	N1133	WAS P/N CP166SP851-ASSY	5/14/03	

PROPRIETY NOTICE
This document and the data disclosed herein or herewith is not to be reproduced, used or disclosed in whole or in part to anyone without the permission SYSTEM DYNAMICS, INC.



NOTES:

- All stainless steel parts to be passivated per MIL-F-14072, QQ-P-35 C of C required.
- Wetted Materials:
 - 316/316L: Sensing Probe, Mounting Adapter
 - Teflon: Probe Insulator
- Pressure Limit: 250 PSIG Max.
- Temperature Limit: +180 F
- Electrical Connection Size: #6 stud size.

SYSTEM DYNAMICS, INC.

PO Box 12544 Scottsdale, Arizona 85260

1-888-905-1892

www.waterlinecontrols.com

ITEM	QTY	PART NUMBER	DESCRIPTION, CATALOG NO. or FINISHED SIZE	MAT'L
8	1	0800-0001-0632	#6-32 MACHINE HEX NUT	18-8 S.S.
7	1	0810-0002-0006	#6 LOCK WASHER	18-8 S.S.
5	1	0810-0001-0006	#6 FLAT WASHER	18-8 S.S.
1	1	5000-C001-0108	0 3/16" CONDTVY. PROBE ASS'Y	316/L PTFE

UNLESS OTHERWISE SPECIFIED:		MAT'L PART #:	DRAWN BY:	DATE:	TITLE	
DIMENSIONS ARE IN INCHES, [] ARE IN MM (Millimeters)		HEAT TREAT	CHKD BY:	DATE:	03/16" X 1/8" NPT	
TOLERANCES:		FINISH	APPVD. BY:	DATE:	CONDUCTIVITY PROBE	
.X ±.1 .XX±.01 .XXX±.005		PLATING	PROJECT NO.	SKETCH NO.	SIZE	FSCM NO.
FRACTIONS ±1/64, ANGLES±30°		REMOVE ALL BURRS AND SHARP EDGES		MAT'L:	B	DWG. NO.
MACHINED SURFACES: $\sqrt{63}$ RMS		AS NOTED		C001-0108-0001		REV
NEXT ASS'Y.				SCALE 4 : 1		SHEET 1 OF